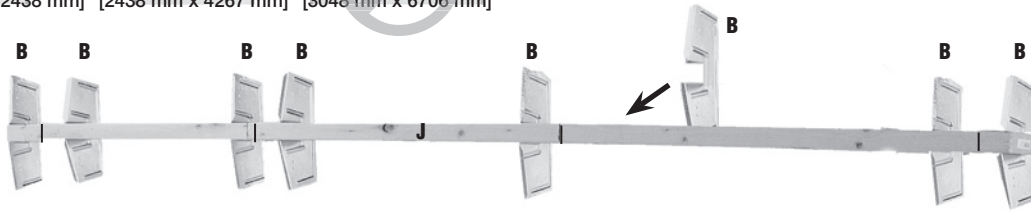
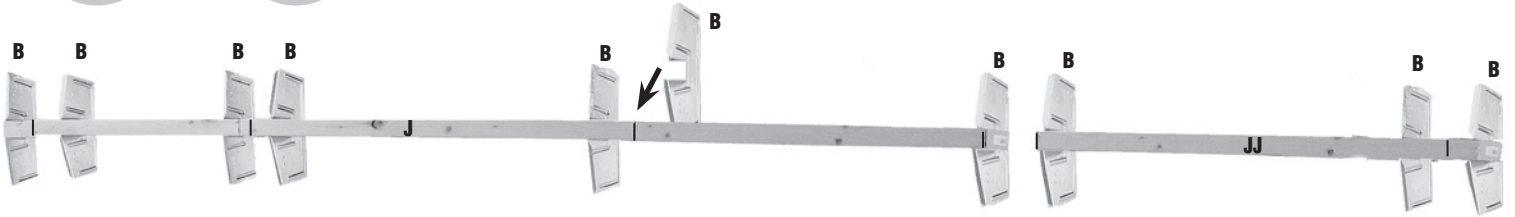


10

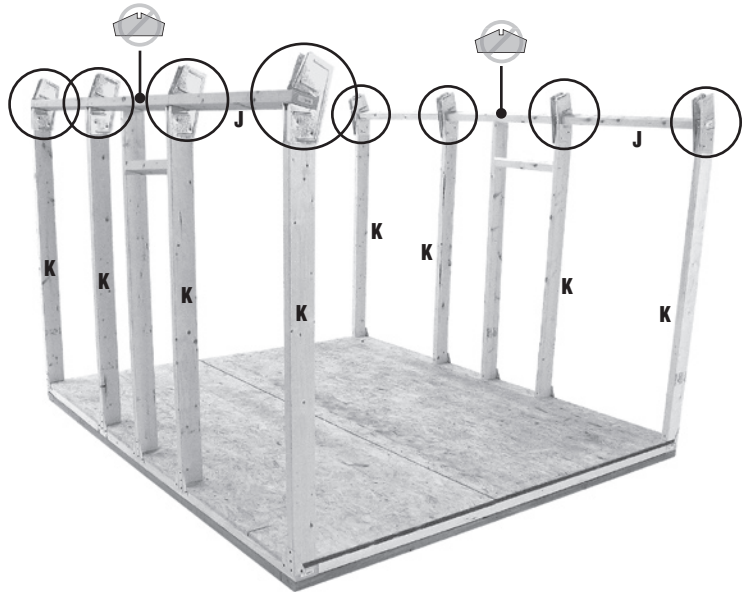
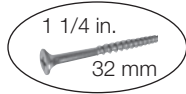
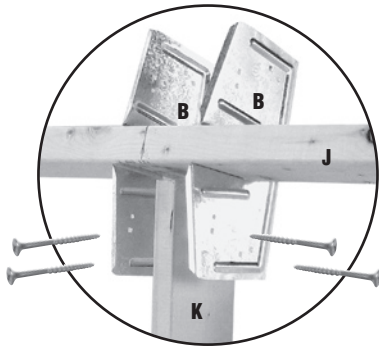
7 ft. x 8 ft. [2134 mm x 2438 mm] 8 ft. x 14 ft. [2438 mm x 4267 mm] 10 ft. x 22 ft. [3048 mm x 6706 mm]



7 ft. x 8 ft. [2134 mm x 2438 mm] 8 ft. x 14 ft. [2438 mm x 4267 mm] 10 ft. x 22 ft. [3048 mm x 6706 mm]



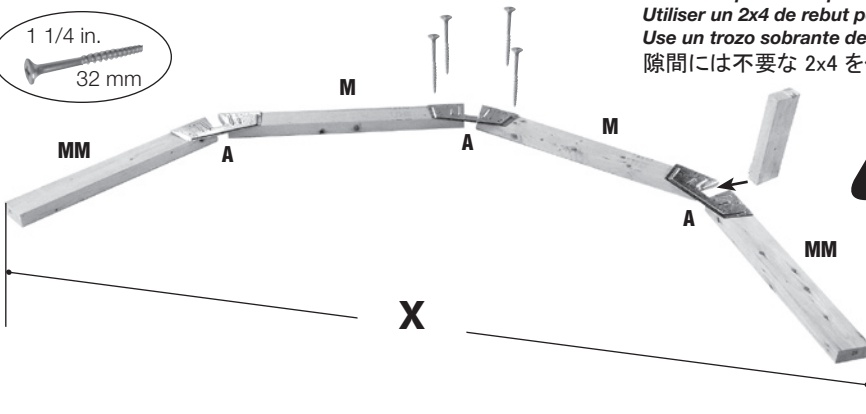
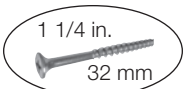
11



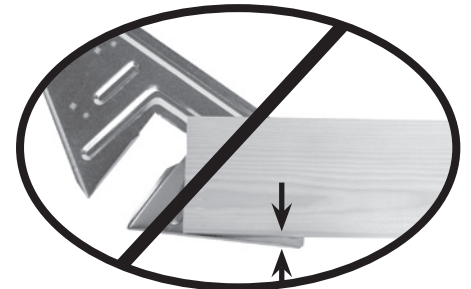
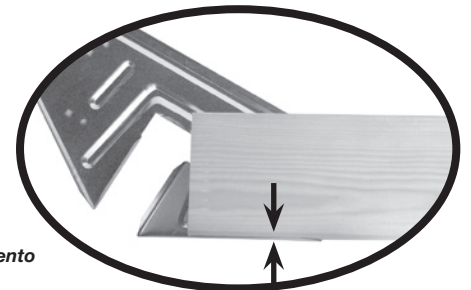
12

7 ft. x 8 ft. [2134 mm x 2438 mm] 8 ft. x 14 ft. [2438 mm x 4267 mm] 10 ft. x 22 ft. [3048 mm x 6706 mm]

X = 82 in. [2083 mm] 94 in. [2388 mm] 118 in. [2997 mm]

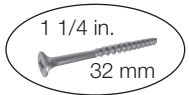


Use a scrap 2x4 for spacing
Utiliser un 2x4 de rebut pour l'espacement
Use un trozo sobrante de 2x4 para el espaciamento
隙間には不要な 2x4 を使用します



13

Repeat step 12 on opposite side
Répéter l'étape 12 sur le côté opposé
Repita el paso 12 en el lado opuesto
反対側もステップ 12 を繰り返します

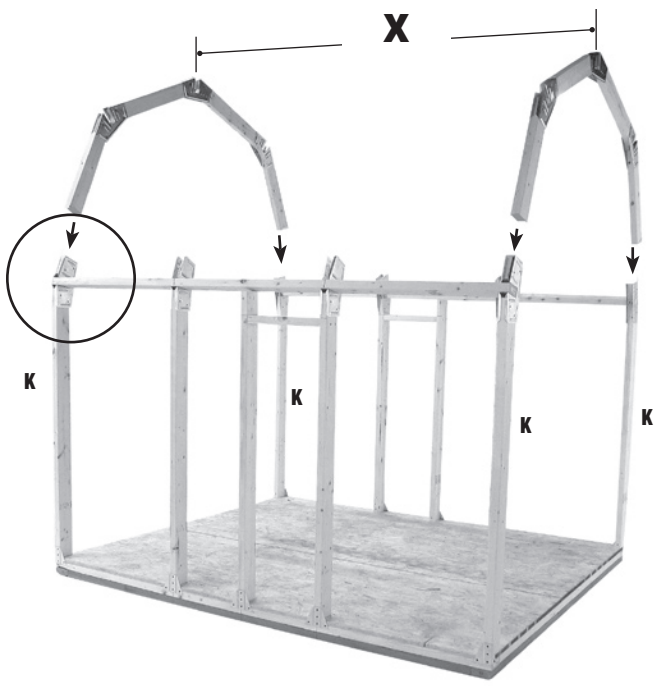
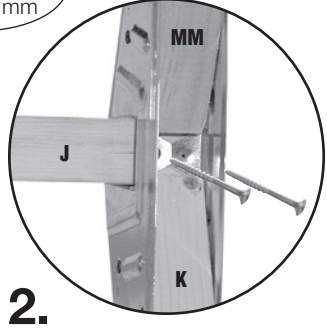
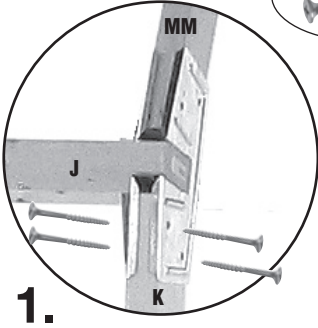
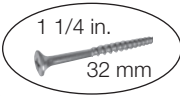


Use a scrap 2x4 for spacing
Utiliser un 2x4 de rebut pour l'espacement
Use un trozo sobrante de 2x4 para el espaciamento
隙間には不要な 2x4 を使用します

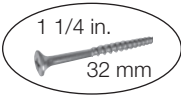
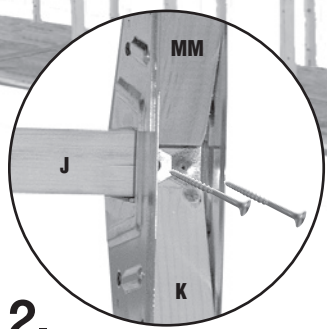
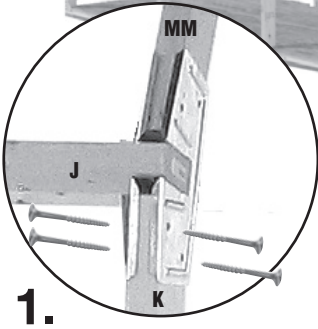
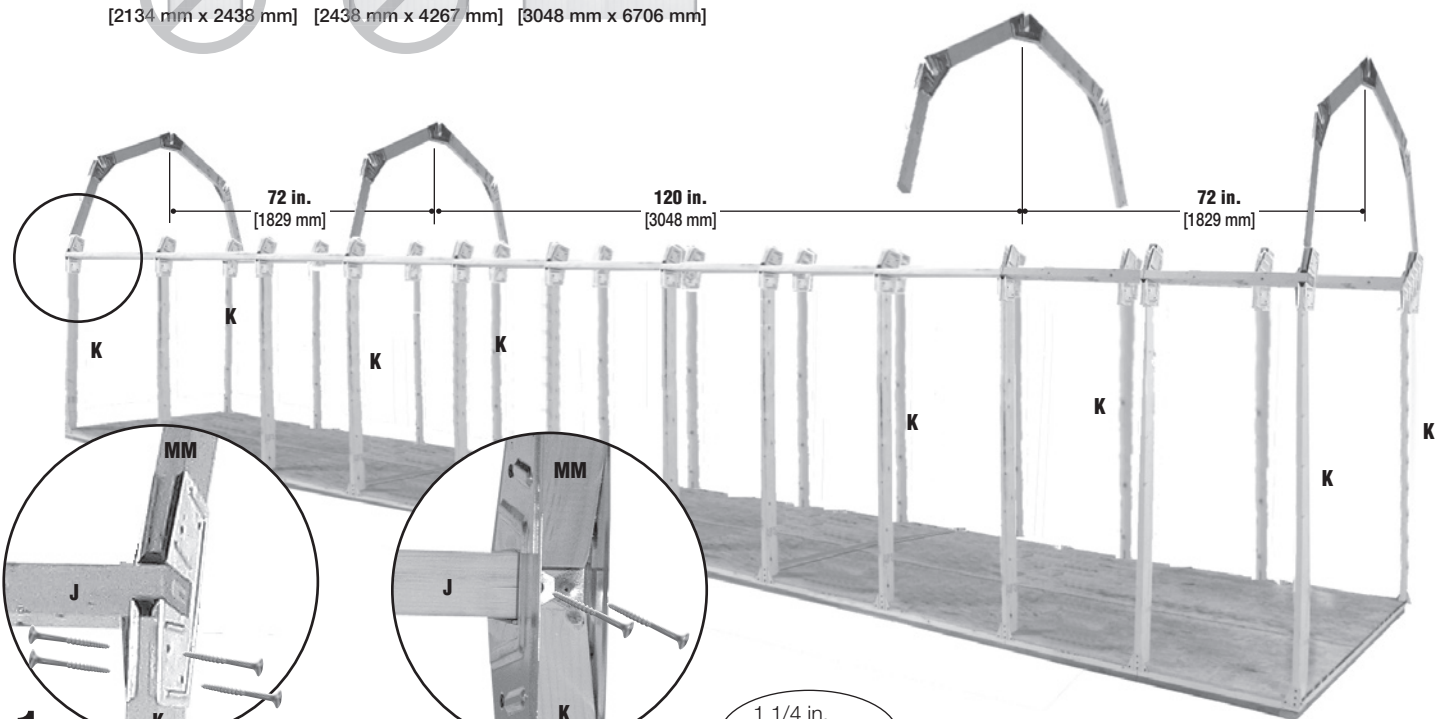
14

7 ft. x 8 ft. [2134 mm x 2438 mm] 8 ft. x 14 ft. [2438 mm x 4267 mm] 10 ft. x 22 ft. [3048 mm x 6706 mm]

X = 96 in. [2438 mm] 168 in. [4267 mm]

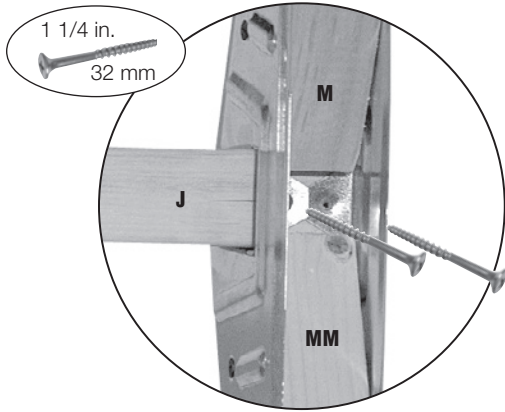


7 ft. x 8 ft. [2134 mm x 2438 mm] 8 ft. x 14 ft. [2438 mm x 4267 mm] 10 ft. x 22 ft. [3048 mm x 6706 mm]

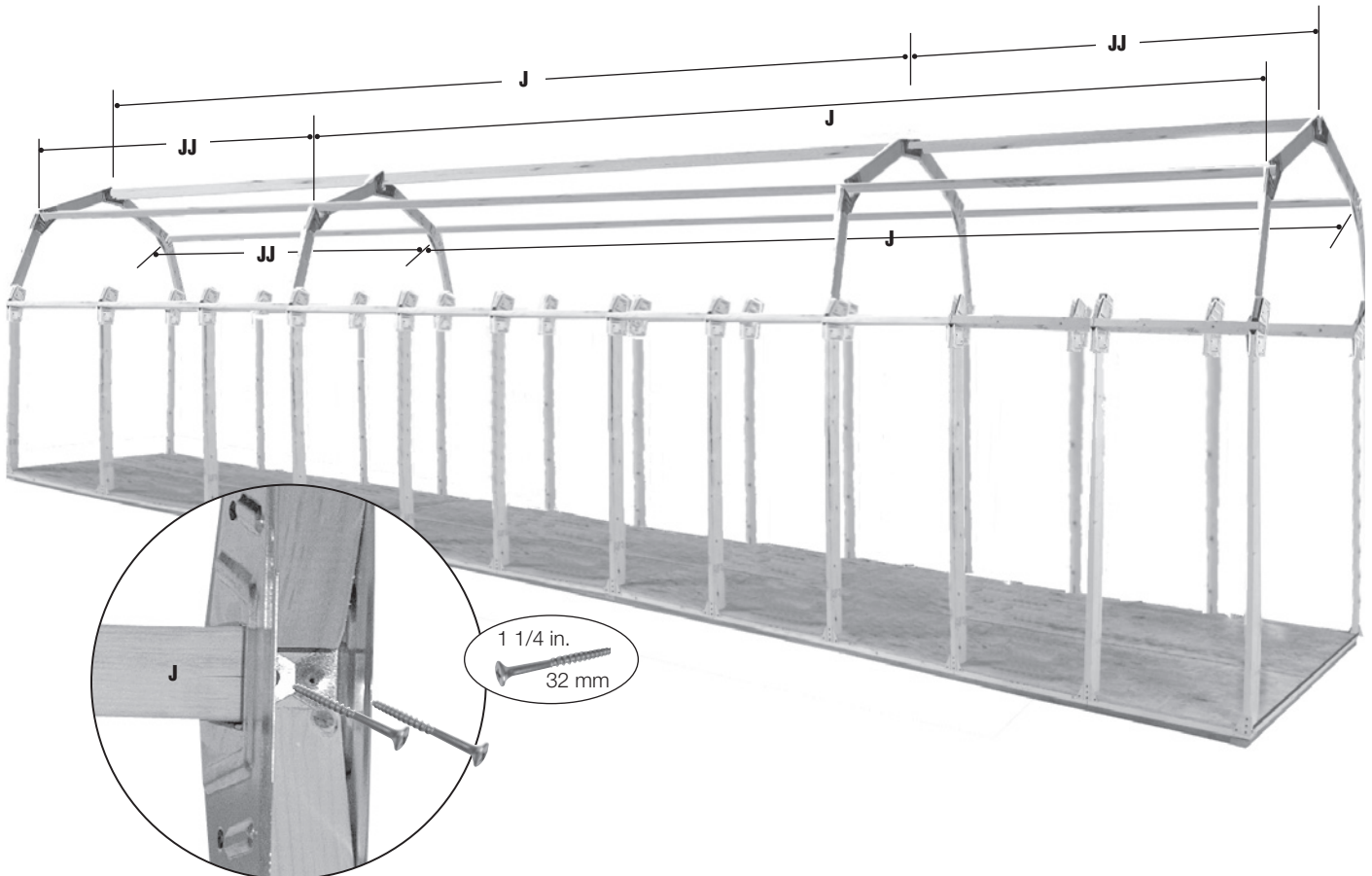


15

~~7 ft. x 8 ft.~~ [2134 mm x 2438 mm] ~~8 ft. x 14 ft.~~ [2438 mm x 4267 mm] ~~10 ft. x 22 ft.~~ [3048 mm x 6706 mm]

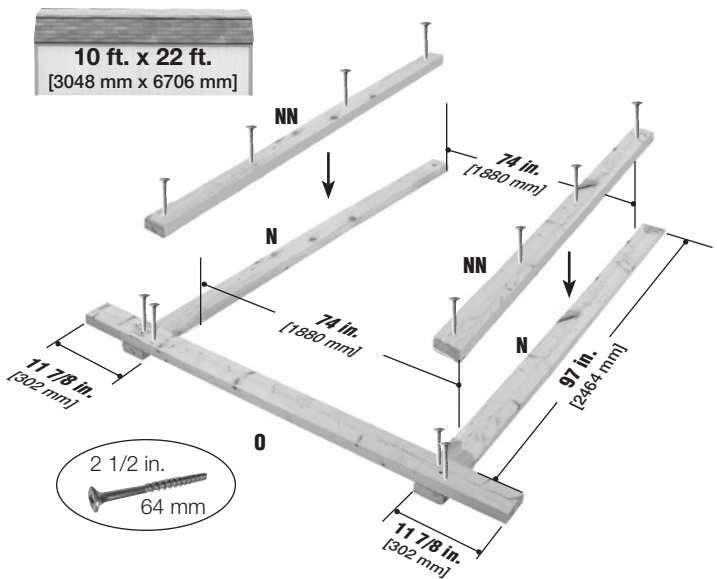
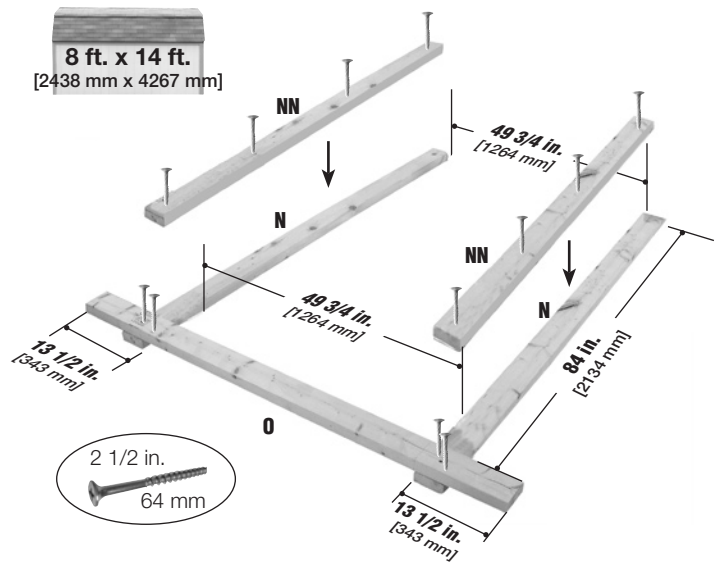
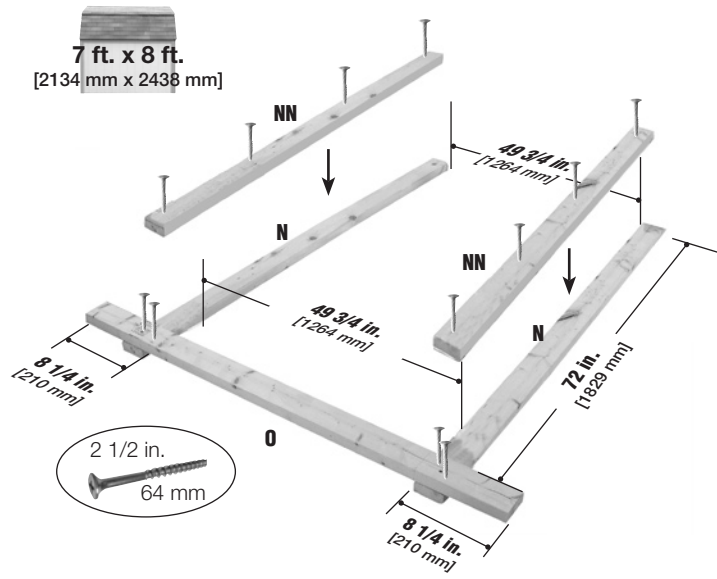


~~7 ft. x 8 ft.~~ [2134 mm x 2438 mm] ~~8 ft. x 14 ft.~~ [2438 mm x 4267 mm] ~~10 ft. x 22 ft.~~ [3048 mm x 6706 mm]



16

DOOR JAMB MONTANT DE PORTE MARCO INTERIOR DE LA PUERTA ドア枠



17

BACK WALL MUR ARRIÈRE PARED POSTERIOR 後壁

